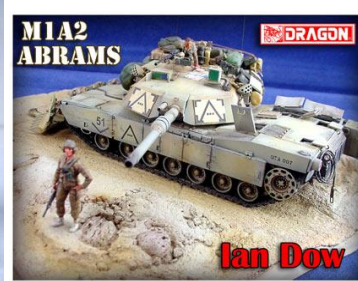




THE BIGGEST LITTLE MODEL CLUB IN IPMS

CLUB INFORMATION



IPMS Livonia is a non-profit educational organization created to promote and share the art of plastic modeling. The group meets at 8:00 p.m. every 2nd Tuesday of the Month.

Meeting Place: The Pierson Center, Suite 5, 32625 West Seven Mile Rd., Livonia, Michigan.

Club Officers:

President

Bob Blevins
(734) 664-3198
blevins5@prodigy.net

VP

Ian P. Dow
(734) 564-6448
landow1030@gmail.com

Treasure

John Kesner
(248) 880-6135
johnkesner@frontier.com

Secretary

Albert (Mozzeralla) Divetta
(248) 760-4572
mrald@divetta

Bull Sheet Staff:

Editor in Chief Ian P. Dow

Associate Editor Jeff Edge

Club Dues

IPMS US members:

\$12 Non-IPMS US members: \$15
Juniors: \$5

Web Site: www.ipmslivonia.org

In This Issue

by: Ian P. Dow

Opening Remark.....Page 2

Hasegawa Hitachi Excavator.....Page 3

Squat Toilet.....Page 11

Announcements.....Page 14

Contest Corner.....Page 15

Upcoming Events.....Page 16

Mess Hall.....Page 17

It is contest month so bring out your latest and greatest. You can also bring anything out that you have been working on that you would like to share with the group.



New and Different.

By Ian P. Dow

Gentleman,

As I sit and contemplate another month of the newsletter I think to myself, "What are we going to write about or feature this month?" Anyone who writes their clubs newsletter knows that it is time consuming, and a whole bunch of work. It is however a labor of love to be able to showcase different models, techniques, and products that are available on today's market. Now I have stated this many times but I am a modeler who does not stick to any one genre. I like them all. Armor, cars, planes, figures, boats, sci-fi and anything else that catches my eye. Well I have noticed that there has been a lot more models out there that seem to catch my eye in the new and diverse sense. This month's reviews or spotlights look at two such models. One is a neat little kit that I might just pick up for its unique size and subject. The other I might get for the reason that it is something you will likely not see on any contest table in this country. Different is putting it mildly. Read on and you will see what I mean.

The best part of this variety is that now we are seeing model kits of varied subjects that are also up to today's modeling standards. Not all are great models but there is a certain level of quality that is expected. Yes there are still plenty of kits that are not great but I will say I believe they are a lot less than they were. We all complain and moan about the cost of kits, but look at it more as an investment in the future of quality kits. If manufacturers see that there is money to be made putting out a good kit then they will hopefully be more receptive to producing better kits. We have already seen how many kits produced today need nothing other than a modeler's skills and talents to produce an award winning kit. In days past kits needed photo-etch this and resin that. Not that they don't often make a difference, but the level of detail in many of the new kits is excellent.

With that in mind I will encourage my fellow readers to maybe take a flyer on a different subject or kit that is way out of their comfort zone. You are model builders who love putting together a small scale replica of an actual vehicle for the most part. The process is the same. Clipping and sanding parts, gluing, priming and painting. Lather rinse repeat. Cruise the hobby isles and look for something wacky for the experience of trying something new. If it doesn't work out go back to what you like. You never know, you might find something you like even better.

Keep building, stop worrying, and enjoy your hobby and the people who help you love it.

Ian

Hasegawa 1/35th Hitachi Excavator

By; Pedro Negrón



Hasegawa has launched his second kit based on the Hitachi Double Arm Working Machine ASTACO from 2015 this time the Hitachi Z Axis 135. Built to be ultrashort excavator, is perfect for contractors working in and around obstacles. It's built for heavy jobs with powerful cabling, a big bucket, a backfill blade standard in all models and the tight operating radius to get the job done virtually anywhere. The ultra-short Hitachi Zaxis 135US is hard at work all over the world. Smarter, Faster, more productive, more compact, and more efficient. Boasting a cleaner yet more powerful engine and a host of new items as well as significant refinements, Zaxis is the next generation in excavator developments.



Kit features new excavator bucket and dozer blade plus parts for an operator figure! The Kit comes in one bag with 8 sprue in colors, including a clear one for the crystals, decals, some rubber wire, and rubber belt tracks. The instructions are in black and white, but at the reverse side, include diagrams in colors of the whole kit, very useful for the process of applying decals. We Recommend to study carefully the steps and the sprue parts, since you will find some extra parts from the previous version with the claw part.







Building started with the wheels and tracks, then with the hull, that need some weight, I added it using some metal pellets. The cabin is the next step and as the previous parts, there are all done in a evening. The bucket need to fill up some pin marks, but no big deal dealing with it.

The paint was in stages, I separate the interior part of the cabin from the cage, the arm, the tracks wheels, and the orange torso for easy of paint.

Started with a primer, using the White primer from Badger and leave it overnight. Next day, I started the painting using Tamiya German Grey, and a mix of Orange (3parts)/ Red (1part) .For the Arm and bucket I added some yellow to age the color a bit. The dozer blade was painted using Stainless Steel from Model Master.





For the Weathering I started painting the tracks with a brown color as a base. Used tamiya Buff to start some dusting on the hull. The Weathering Continues with a series of color, from Tamiya Flat Earth, Deck Tan and products from AMMOMIG, like Dust Rainmarks, dark mud, kursk earth, and airfield dust pigment. A mix of black mars and burnt umber using oils was done for the grime on the joints of the arm and bucket.

In conclusion, this is a wonderful kit to work with, very satisfying and quick to built, decals are the only thing that need a extra care to work, specially the ones for the crystals.







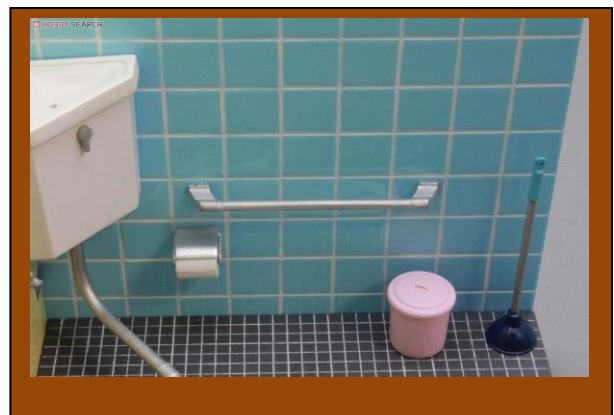
Pedro Negron

Started with modeling kits at age of 7 with the Monogram Missouri, continue at age of 12 with the Testor F-14 and many other kits until University, work and marriage put a stop at it. Now I'm back working with kits since 2010, and dealing with every type from Tanks to Sci-Fi, and experimenting a lot with the paintings and weathering looking to achieve life-like models.

<http://www.ipmsborinqueneers.com/>

Oretachi no 1/12 Squat Toilet (Plastic model)

Manufacturer: Milestone





No dear readers I can't make this up. Somebody has made a model of a squat toilet. These are popular in many Asian countries. I have never used one and the way my knees are going, it might not be pretty. I give credit to whomever decided to go forward with the production of this kit. It could not have been and easy sales pitch to his boss but it is an actual model that can be purchased from eBay for about \$22. Yes, I have thought of getting it. Who wouldn't. Not much to say about this. A picture is worth a thousand words.





HOBBY SEARCH



作る前にご用意下さい

Prepare before assembly.



ニッパー nipper
カッター cutter
ピンセット tweezers



プラモデル用接着剤
plastic cement

■はペイントマークです。← 接着します ←----- 接着しません

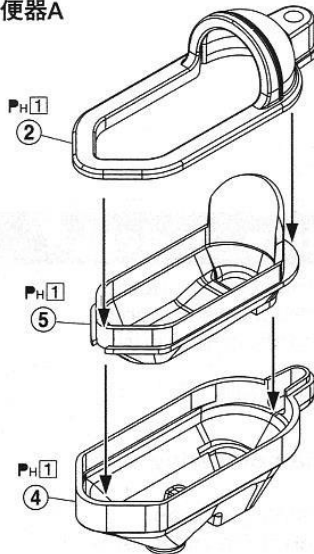
■ is Paint Mark ← is the instruction of gluing. ←----- is the location no gluing.

※メッキ部品は接着面のメッキをはがすと接着しやすくなります。Remove plating of cement points to make easier attaching plated parts.

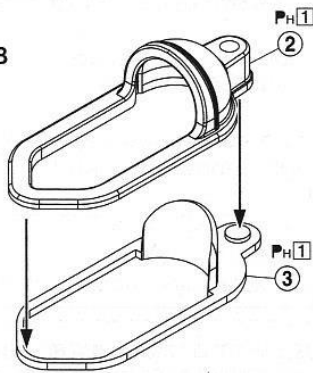
① 便器の組み立て

便器Aと便器Bのどちらかを選択します。

便器A



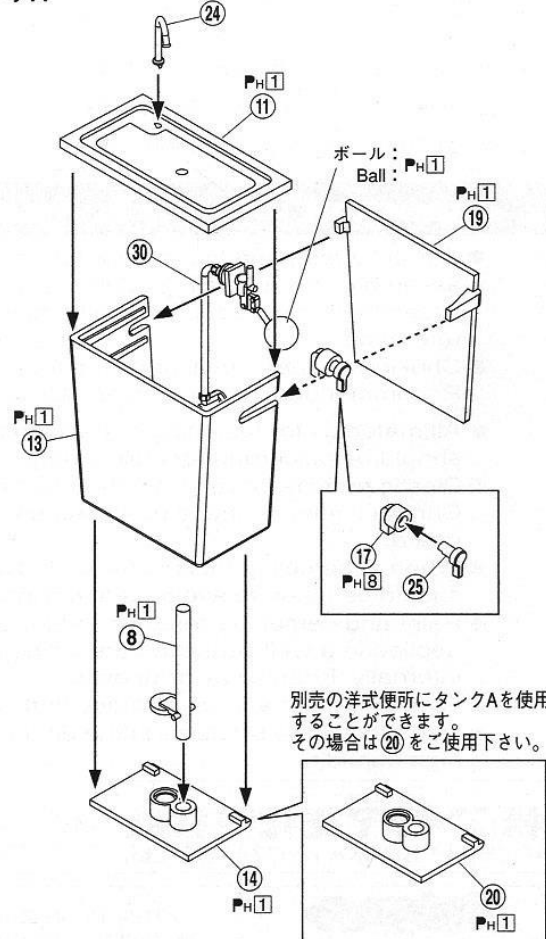
便器B



② タンクの組み立て

タンクAとタンクBのどちらかを選択します。

タンクA



So, for all you fans of foreign crappers, this kit is for you. I still might buy it just for something and giggles.



Announcements – Please Read

1. This months meeting is a Model of the Month Contest. Bring all your new and fantastic plastic out to wow and dazzle the crowd.
2. The Toledo Show is having their annual show in Port Clinton Ohio. Should be a good show with lots to do and see. Lets keep supporting our fellow clubs.



September 9, 2017

The Liberty Aviation Museum

3515 E. State Road,

Port Clinton, OH 43452



Contest Corner

Model of the Year Standings 2017

1. Alex Mierzejewski	20 points
2. Jeff Edge	14 points
3. Jerry Fraske	12 points
4. Ian Dow	10 points
5. John Kesner	7 points
6. Chris Nichols	6 points
6. Randy Helms	6 points
7. Steve Freeman	4 points
8. Eric Hjelmberg	3 points
9. Bill Pelton	2 points
10. James Rudy Rudolph	1 point
10. Carlo Gerber	1 point
10. John Weibel	1 point

Junior Results

1. Robert Helms	36 Points
2. Aaron Lask	10 points



Upcoming IPMS Livonia Events

IPMS Livonia 2017 Calendar

Sept 12th- M.O.M.

Oct 10th- "Putty Night" (round table discussion)- Bring Your Putty and Tools

Nov 14th- M.O.M. and "Unusual Tool Night" (details to follow)

Dec 12th- "Rigging for Bi-Planes"



Mess Hall

By Grunty the Magic Pig

Ostrich Steaks

Ostrich can be a lean alternative to beef. However, Ostrich isn't strong on flavor so you will want to season it well. This recipe will give you an ostrich steak very similar in flavor and texture to that of a grilled beef steak. Serve over rice, potatoes, or assorted grilled vegetables.

Ingredients:

1. 4 4-5 ounce/110-140 g ostrich steaks (about 3/4 inch thick)
2. 2 tablespoons/30 mL Worcestershire sauce
3. 2 cloves garlic, minced
4. 1 1/2 teaspoon/7.25 mL salt
5. 1 teaspoon/5 mL olive oil
6. 1 teaspoon/5 mL onion powder
7. 1 teaspoon/5 mL coarse ground black pepper



How to Make It:

1. Place ostrich steaks on a plate. Combine remaining ingredients and rub into both sides of steaks. Cover with plastic wrap and place in refrigerator for 2 hours.
2. Preheat grill for medium-high heat. Remove steaks from refrigerator and let them sit at room temperature (covered) for 15 minutes as the grill is heating up.
3. Oil grill grates well once it has heated and place steaks onto to cook. Grill steaks for 5-6 minutes per side, depending on thickness or until internal temperature reaches at least 150 degrees F.
4. Once cooked to appropriate temperature, remove from grill and let meat rest for 5-7 minutes. Serve.